

TSM35-075 - Permanent Magnet Stepper Motor



FEATURES

- **Permanent Magnet Stepper Motor**
- **35mm Diameter**
- **7.5 Degree Step Angle**
- **Up to 7.64 oz-in of Bipolar Holding Torque**
- **Customization Available for:**
 - **Winding Current to Optimize Torque**
 - **Shaft Options**
 - **Cables or Connectors**
- **RoHS Compliant and CE Certified**



See page 2 for additional model types

DESCRIPTION

These miniature Permanent Magnet DC Stepper Motors measure 35mm in diameter and provide up to 7.64 ounce-inches of bipolar holding torque. These motors come standard in 7.5° step angles with a four or six-lead wire connection, and are offered in 5V or 12V voltage ratings. Customization is available for larger quantities.

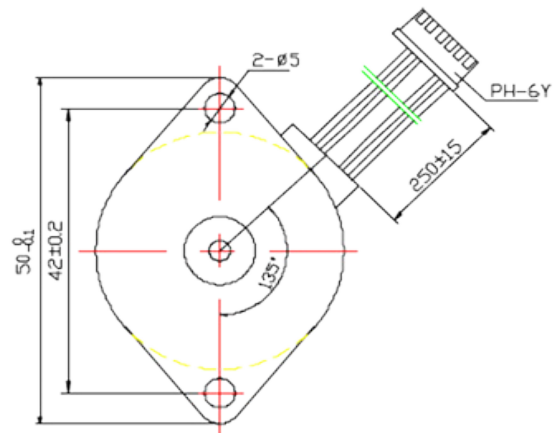
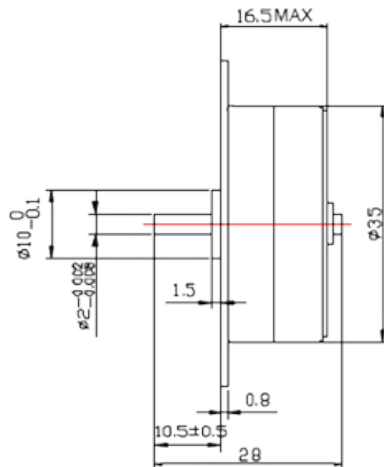
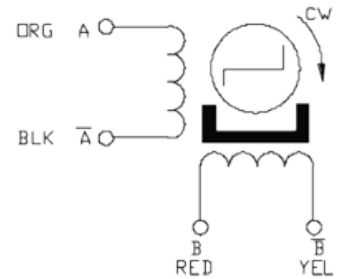
SPECIFICATIONS

Item	# of Wires	# of Phases	Bipolar Holding Torque (oz-in)	Detent Torque (oz-in)	Bipolar Series RMS Voltage (V)	Current Per Phase (A)	Resistance Per Phase (ohms)	Rotor Inertia (oz-in-sec ²)	Weight (lbs)	Length (mm)
TSM35-075-16-5V-060A-LW4	4	2	4.86	1.04	5	0.42	12	0.0001058	0.18	16.5
TSM35-075-22-5V-050A-LW4	4	2	7.64	1.74	5	0.50	10	0.0001058	0.18	16.5
TSM35-075-22-12V-020A-LW4	4	2	7.64	1.74	12	0.20	608	0.0001058	0.18	16.5

Step Angle Accuracy	±8% (Full Step, No Load)	Insulation Resistance	100ΩMin. 500 VDC
Resistance Accuracy	±10%	Dielectric Strength	500VAC for One Minute
Inductance Accuracy	±20%	Shaft Radial Play	0.06Max (450 g-load)
Temperature Rise	80°C Max	Shaft Axial Play	+/- 0.5mm (450 g-load)
Ambient Temperature	-20°C to +50°C		

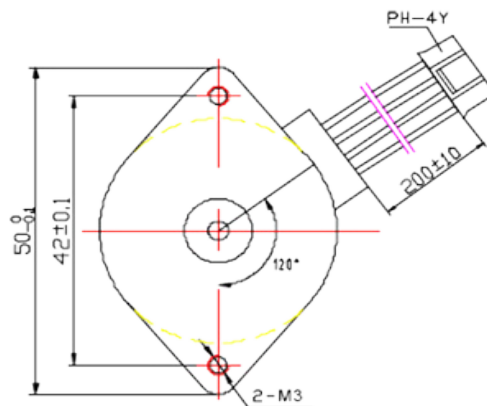
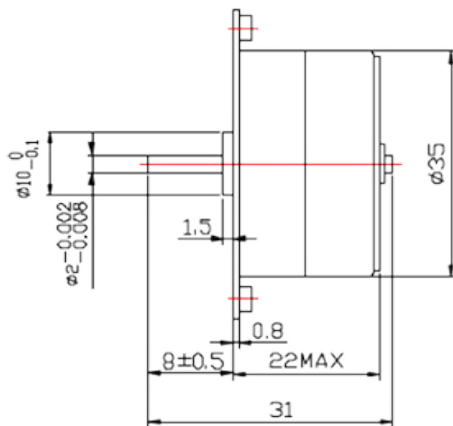
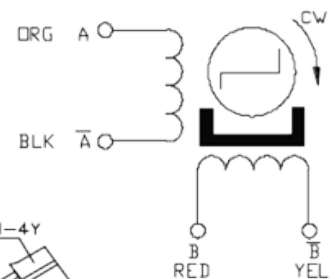
L010263

TSM35-075-16-5V-060A-LW4



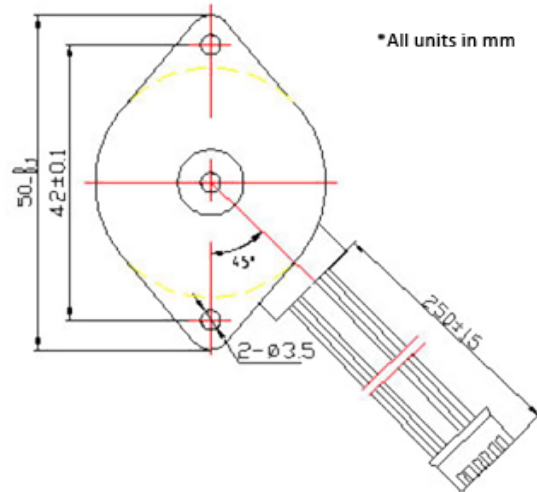
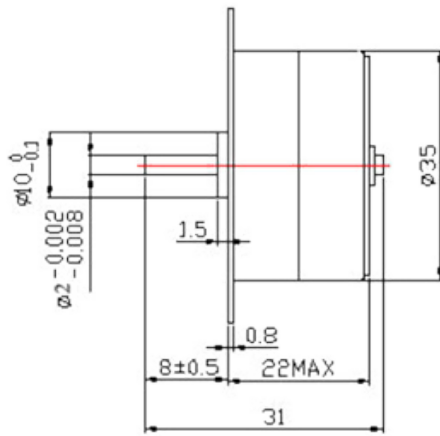
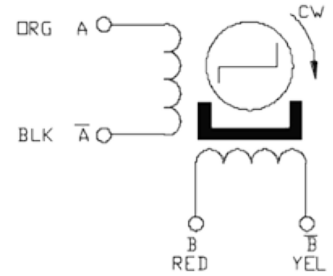
*All units in mm

TSM35-075-22-5V-050A-LW4



*All units in mm

TSM35-075-22-12V-020A-LW4



DIMENSIONS & WIRING